



Welcome to Livetec Systems



Contents

Introduction	p3
Livetec leadership	p4
Our foundation	p5
Building the future	p6
What makes us different	p7
Our history	p8
Livetec solutions	p9
→ Technical Services	p10
→ On-Farm Operations	p12
→ On-Farm Products	p15
→ Research & Development	p18
Organisations we work with	p19





Our experience in farming, animal welfare, research & development, legislation and policy enables us to provide comprehensive support services for our clients.

We are specialists in applying scientific research to day-to-day practises in these areas, working with all parts of the livestock community to protect the welfare of both animals and farmers.

Our comprehensive range of services are recognised by industry and governmental bodies such as the Animal and Plant Health Agency (APHA), Department for Environment, Food and Rural Affairs (Defra), the British Poultry Council (BPC) and we are an affinity partner for service delivery with the National Farmers Union (NFU).

Reliable, approachable and always professional, Livetec are a true partner; our team of dedicated experts continually deliver added-value to the livestock industry through our full breadth of services.

Introduction

Gordon Samet

Commercial Director and Co-Founder



Gordon is an expert in providing on-farm depopulation services, with over 20 years direct experience in the field.

After the outbreak of Foot and Mouth Disease in 2002, Gordon redefined the commercial delivery model for Notifiable Disease outbreaks for the UK's Department for Environment, Food and Rural Affairs (DEFRA).

Gordon has a great deal of in-depth knowledge and experience which Livetec have continually utilised over the past 10 years, through his increased involvement in the handling of avian disease outbreaks.

A key part in growing Livetec's international reputation, Gordon has helped make us the leading on-farm biosecurity and on-farm operations partner, whilst building a range of scientifically proven products and services that have been delivered throughout Europe, North America, South Africa, Australia and New Zealand.

Julian Sparrey

Technical Director and Co-Founder



Julian is a Chartered Agricultural Engineer, with over 20 years experience in exotic livestock disease outbreaks.

An expert in the field, Julian works on developing equipment and procedures for the emergency depopulation of livestock on-farm. He has also worked to defined best practice structural and operational biosecurity strategies helping farm businesses prevent and manage potential outbreaks.

Starting as a Research Engineer in 1990, Julian worked on developing novel systems for the slaughter of livestock. In the early 2000's, he turned his attention to mass depopulation for disease control after the Foot and Mouth and AI outbreaks in the UK and Europe.

Over the years, Julian has worked with leading UK Veterinary Universities on a number of technologies and processes for the safe and efficient mass depopulation of livestock to ensure higher welfare standards

An integral member of the team, Julian has helped to establish us as the go-to delivery partner of biosecurity, as well as on-farm equipment and operations to both the industry and Government for the control of disease outbreaks.

Scientifically-backed knowledge

Across services and products that shapes all areas of our design and innovation. We remain up-to-date with the latest scientific research and industry developments to ensure our offerings are always bringing the most value.

Research-based processes and protocols

Deeply rooted in real UK agricultural history and use forensic analysis to learn from the past to improve in the future. We operate in ways that are proven to generate a positive impact.

Farmer wellbeing

We turn the tables and shift the focus from productivity to worker confidence, starting at the primary driver of positive change: you. We believe that supporting individual farmers is key to wider industry transformation.

Protection of healthy livestock

While emergency depopulation is usually the focus during an infectious event, we work with farmers to build proactive strategies. Not only do these strategies address the outbreak but they actively reduce the devastation to you and your business.

Partnerships and relationship building

Working with industry professionals that facilitate the communication and collaboration needed to empower us to innovate at speed and remain at the very forefront of the rapidly changing UK agricultural industry.

Sustainability and responsible actions

Support the transition from traditional on-farm processes to more environmentally-considerate procedures. These can play a significant role in reducing the impact of existing practises and assist in the move towards carbon neutral production.

Reliability, friendliness and professionalism

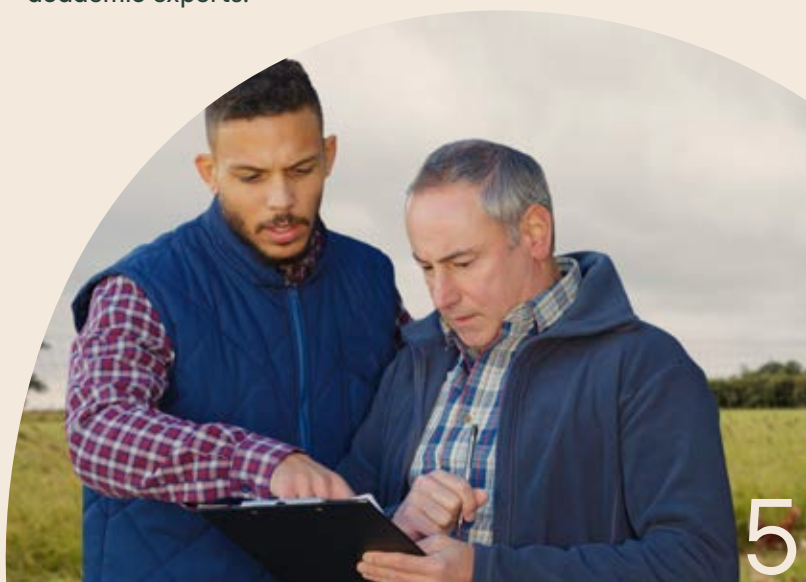
Ensuring all situations are approached with care and understanding. We don't focus our efforts on where you've been; we drive our energy into helping you get where you need to be.

An understanding of the wider issues

By implementing farm-level change through our knowledge and expertise, we're sparking a broader transformation that extends the impact of our products and services far beyond the individual farm.

Using the most up-to-date scientific data

Helping mitigate risk, prevent disease and protect commercial viability. We actively drive progress by undertaking scientific R&D projects in partnership with industry leaders and academic experts.



Our values:



Our vision:

To witness huge strides forward in agricultural innovation, create more sustainable food systems, and improve land management, disease prevention and animal welfare.

To see improved access to essential services that ensure farmers have access to the support they need to effectively reduce risk and protect their livelihoods.

To live in a world driven by partnerships, working towards the same goal, leveraging the power of collective, collaborative action to build the future of livestock protection.

Ultimately, we want to know that we've played our part in creating happier, healthier, and more sustainable environments for the livestock and the farmers who nourish our nation.



Involvement in all **UK poultry** notifiable **disease outbreaks** for **two decades**.

Scientifically **validated**, high **animal welfare** and humane **depopulation techniques**.

Innovative **five-year** contingency planning service to meet all your **structural** and **operational** biosecurity needs.

Wrap around service to **protect livestock** and **livelihoods** by mitigating the **risk** of disease and ensuring **commercial** viability.

Farm level **contingency** planning for **preventing** and managing **outbreaks**.

Background in **scientific & academic research** spanning **25+** years.

Fully accredited **contingency** management **service** to support your **farming operations** in the event of a **crisis**.

Partnering with Livetec ensures you meet farm **assurance scheme standards** and **comply** with the latest government **legislation**.

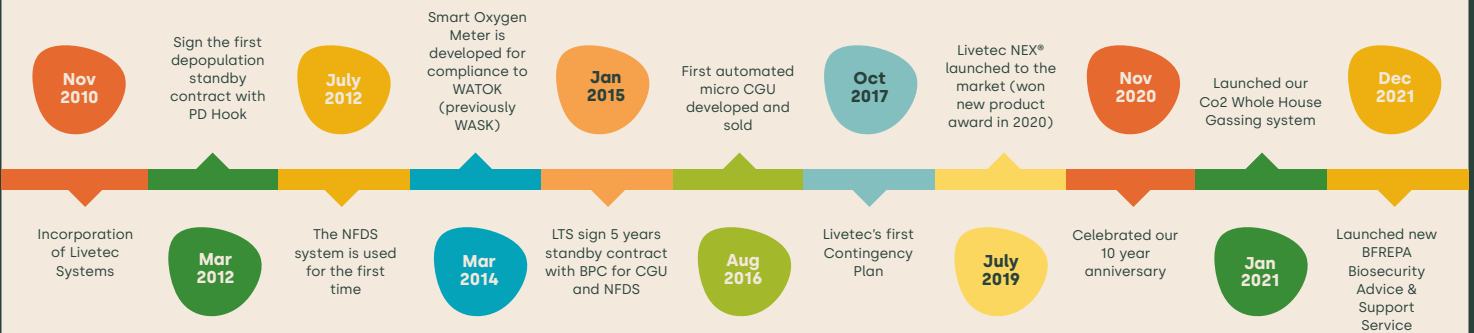
We deliver **enterprise-level** biosecurity **solutions**, tailored to any **scale**.

History

Firmly rooted in science, Livetec formed in 2010 to improve the future of farming.

Soon after our inception, the Livetec name became synonymous with providing a professional service built on integrity and compassion, leading to our first standby contract with a major UK integrator breeder and broiler grower in 2012.

In 2016 we signed our first, five year partnership contract with the British Poultry Council which was subsequently renewed in 2020.



Our end-to-end solutions can be delivered to any scale and tailored to farm businesses of all sizes.

At Livetec, we have developed a range of scientifically-driven and data-backed services.

All of our solutions are deeply rooted in our vision to help farmers mitigate the risk of disease, promote exceptional on-farm performance, and ultimately to increase sales, profits, and business reputation.

Our comprehensive service offering covers four core areas:

Technical Services

Our technical services provide you with expert guidance, support and advice, to mitigate risks and implement biosecurity strategies led by science and field experience.

On-Farm Operations

Working with you, our expert operations team provide on-farm support in the event of a disease outbreak, supply chain breakdown or the closure of processing plants.

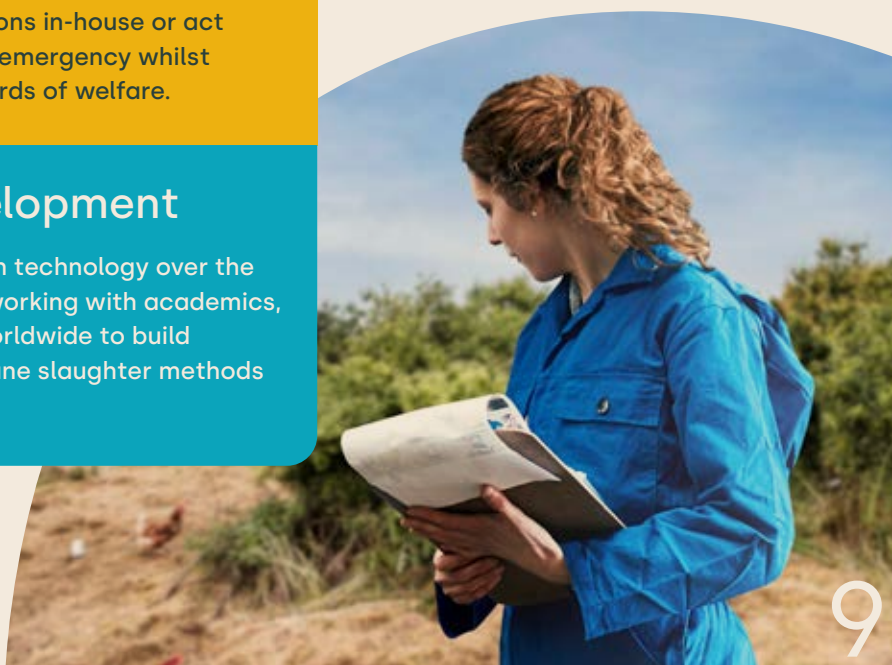
On-Farm Products

At Livetec, we offer a range of on-farm solutions, allowing you to bring operations in-house or act urgently and efficiently in an emergency whilst upholding the highest standards of welfare.

Research & Development

As well as developing our own technology over the past decade, we have been working with academics, industry and governments worldwide to build evidence that improves humane slaughter methods and welfare standards.

Our industry leading solutions are key to sparking essential and positive change from the inside out, building a foundation of resilience that proactively minimises risk, rather than accepting disease outbreaks as part of the deal.



Technical Services

Our technical services team provide expert guidance to help navigate your business through any uncertainty by implementing effective biosecurity strategies that mitigate the risk of disease entering your farm.

▶ **We have been helping to build the future of structural and operational biosecurity since 2010.**

Bespoke Biosecurity Services

Livetec offers expert on-site operational biosecurity advice for your business.

This includes bespoke mapping services, personalised outbreak simulations and pre-audit checks to ensure your farm meets the necessary assurance scheme standards.

We also specialise in new-build structural biosecurity consultancy for potential development on your premises, alongside professional document writing for cleansing & disinfectant SOWs, policies and company declarations.

- **On-site biosecurity consultation & advice (farm visit only)**
- **Mapping services**
- **Cleaning & disinfectant schedule of work writing**
- **New-build structural biosecurity consultancy**
- **Disease outbreak exercise**
- **Assurance scheme pre-audit biosecurity check**
- **Company policies & declarations**

5 Year Contingency Planning Package

Our decades of biosecurity experience have given us the expertise to deliver a five-year contingency planning service.

Tailored to your farm business, our set of plans provide you with a clear roadmap of what to do should you face an outbreak, minimising delays, downtime and stress to both you and your animals whilst elevating structural and operational biosecurity protocols that help mitigate the risk of disease on farm.

Our plans are aligned with both the APHA disease outbreak measures and Defra disease protocols to keep you compliant at all times.

- **Risk assessment**
- **Biosecurity plan**
- **Infected premises response plan (x2)**
- **Cleansing and disinfection plan**
- **National outbreak plan**

▶ **On average our contingency planning package helps farm businesses to get back to full-scale operations within 3 months***

*Rather than 12 months



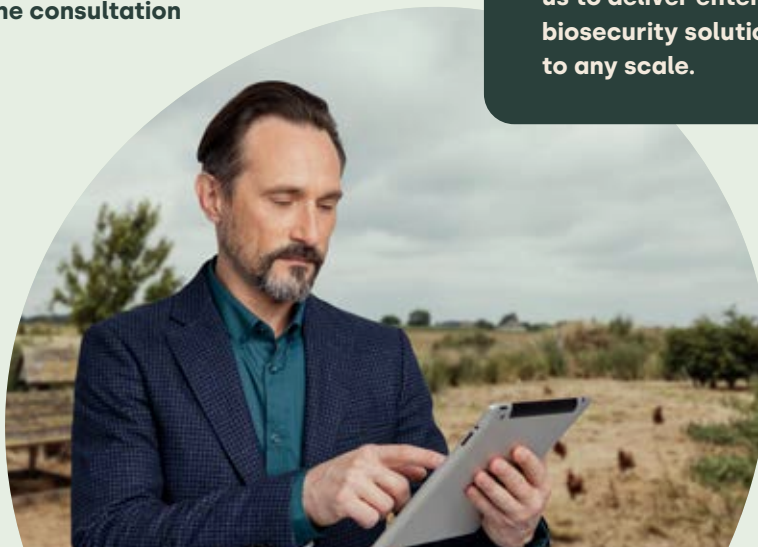
Biosecurity Services for Insurance Purposes

Your dedicated Livetec client manager will conduct a telephone consultation to establish whether a desk-based risk assessment is required. This discussion will be informative and explorative to give us a full understanding of your current biosecurity measures and protocols.

Should an on-site risk assessment be required, our experts will use the findings from our visit to provide you with a detailed report, outlining any current biosecurity threats, highlighting any structural or operational biosecurity vulnerabilities.

Additionally, we build bespoke biosecurity maps, to outline control points, ancillary, and the rest of the farm area.

- **Standalone risk assessment; visit & documentation**
- **Desk-based risk assessment; telephone consultation**



Enterprise Level Biosecurity Solutions

For more than a decade, we have collaborated with farming SMEs, large Integrators and Industry to help them overcome a diverse range of challenges, from biosecurity solutions for small backyard flocks to large-scale commercial farming enterprises.

We have also partnered with leading academic institutions as well as governing bodies like APHA, Defra, BPC and the NFU alongside leading academic institutions and corporations to further scientific research into higher animal welfare and biosecurity that enables us to deliver enterprise-level biosecurity solutions, tailored to any scale.

On-Farm Operations

Working with you, our expert operations team provide on-farm services in the event of a disease outbreak, supply chain breakdown or the closure of processing plants.



Whether you are concerned about your business being affected by a disease outbreak, or the possibility of issues within your supply chain, the closure of processing plants or are trying to manage seasonal demand, Livetec have a tailored solution, that will keep you compliant and ensure you are able to operate your farm business as usual, as quickly as possible.

▶ **Protecting your reputation, livestock and livelihood in the event of an emergency**



From the first call to Livetec, to the final departure of the team, we are dealt with very professionally. This is especially important as this can be an emotional and difficult time for those involved with the livestock. There is also the added complication of ensuring staff and bird welfare are protected while dealing with a zoonotic disease. This Livetec manage extremely well."

PD Hook Group

▶ **Our clients don't have to invest in our products in order to benefit from our technology and innovation.**

Welfare

When there are operational delays, the welfare of livestock becomes an urgent concern and the inability to cull or move animals off-site as scheduled can quickly create crowded conditions which puts the health, safety, and wellbeing at risk.

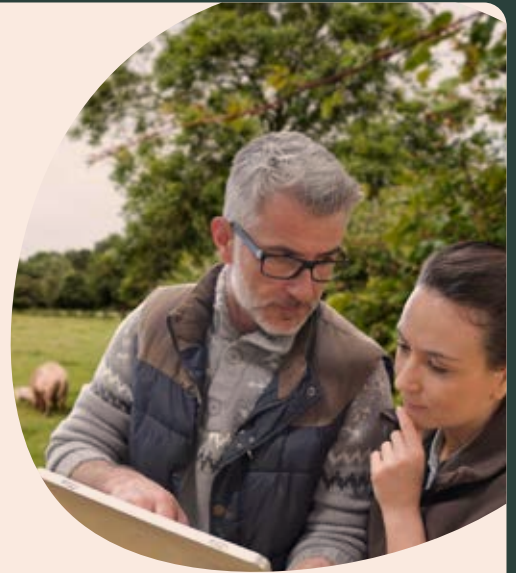
Our bespoke on-farm operations team provide rapid solutions to time-sensitive challenges, boosting capacity and capability, as well as filling resource gaps to help manage seasonal demand or the breakdown of your supply chain, reducing stress and maximising efficiency on your schedule.

Emergency Operations

Whatever the situation is that you are facing, we are proud to offer our expertise as a service, providing emergency operational services to support you and your business.

Livetec can help you overcome any problems caused by extreme weather, such as high temperatures that can lead to a fire breaking out on-site or heat exhaustion, to severe rain that can lead to flooding or water damage, or heavy snowfall to high winds that can force structures to collapse.

We are also specialists in delivering support in the event of an urgent disease outbreak, either on your farm or if you are located within a surveillance zone.



Notifiable & Non-Notifiable Disease

Since 2012, we have been APHA's leading provider of depopulation services for notifiable diseases.

Our years of experience allow us to work closely with farmers to understand the regulations and guidance set out by APHA, Defra and the Government. With this, we provide them with timely notifications of the status of local and notifiable disease outbreaks.

✓ Livetec solutions safeguard your bottom line when the unexpected happens.

✓ Deep cleansing and disinfection can also be arranged to get you back on track.

Helping your business return to profitability

✓ Quick, efficient, and humane services allow birds to move through the supply chain and production to continue.

✓ Entirely bespoke solutions tailored to your business.

✓ Robust solutions when on-farm resources, production, disease or supply chain issues threaten day-to-day operations.

UK & Ireland Operations

The industry leaders in emergency depopulation services, our strength comes in our ability to scale and mobilise a complete operations team across the whole of the UK and Ireland within 8 hours.



We work alongside major government and industry bodies, such as APHA, Defra and BPC to ensure that our products and services help farming businesses across the UK and Ireland for welfare culls, notifiable and non-notifiable disease depopulations.

Our bespoke solutions adhere to latest Government legislation and guidance, ensuring you remain compliant as we complete the necessary operations on your farm.

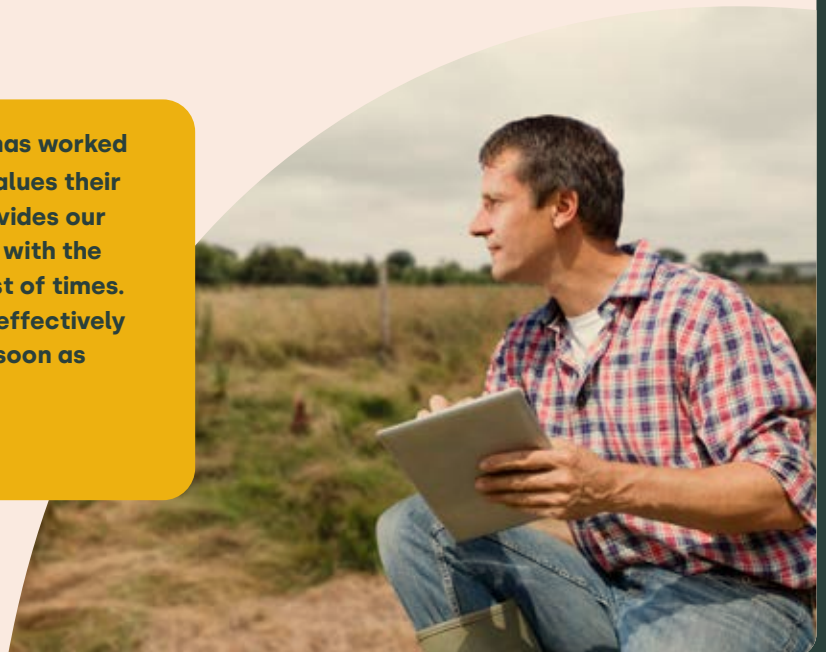
Plus, you can proactively reduce the risk of potential financial loss, reputation damage or vulnerabilities in your business with the implementation of Livetec's tailored biosecurity solutions.

- Non-notifiable depletions & welfare culls
- Notifiable disease depopulations



The British Poultry Council has worked with Livetec for six years and highly values their rapid and reliable service. Livetec provides our member businesses and their farmers with the most efficient service during the worst of times. With efficiency and empathy, Livetec effectively responds to emergency situations as soon as possible."

British Poultry Council



On-Farm Products

At Livetec, we have designed an innovative range of mobile stunning and culling devices that help farms to successfully bring operations in-house and reduce reliance on third party processors.



We are constantly developing our products to enhance the services we offer and help our clients to lower costs, allowing us to effectively deliver essential despatching and significantly reduce disruption to your business.

EU
1099/2009
compliant



The Livetec Nex[®]

Compliant with WATOK regulations and the Red Tractor Assurance Scheme, the award-winning Livetec NEX[®] is an easy to use, hand-held device for depletion in commercial poultry, game birds and backyard flocks.

Launched in 2019, this innovative product was designed by Livetec following extensive scientific development and has been proven as a humane and more consistent culling method than manual dislocation.

The NEX[®] guarantees a humane, quick and consistent dislocation, avoiding any unnecessary suffering that other tools may cause, giving farmers both peace of mind as well as in-house capability for despatching individual birds up to 5kg on-farm, without a limit on numbers.

Fully WATOK
and Red Tractor
compliant

"Biosecurity is compromised if infected birds are not dispatched cleanly and quickly, and there can be serious legal and financial consequences for not meeting standards. NEX[®] is part of the toolkit to help all involved in looking after poultry ensure they do so with the utmost attention to bird welfare."

Julian, Technical Director

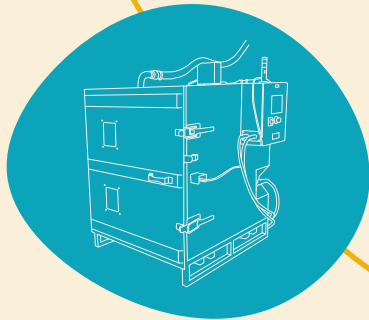
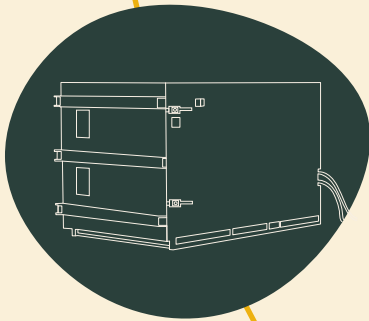
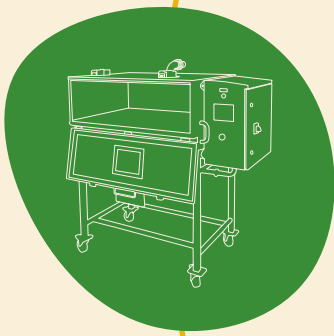
Containerised Gassing Units

Our micro, mini, and standard sized Containerised Gassing Units (CGUs) are OIE compliant and meet the Annex 1 of European Regulation (EU 1099/2009) and WATOK legislation requirements, as well as follow the latest Defra guidelines, to ensure that culling on-farm is carried out in the most humane way possible.

The implementation time is significantly reduced with this method, minimising the stress levels of poultry and its operators.

Developed by Livetec in collaboration with leading UK researchers and scientific agencies, our scalable solutions are designed to meet any size requirement, for both scheduled and emergency despatching.

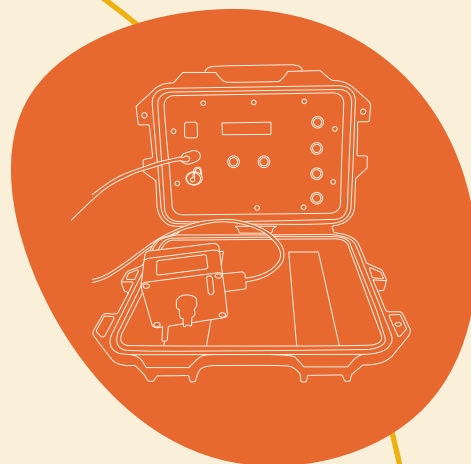
Manual CGUs should be used alongside Livetec's Smart Oxygen Meter (SOM) to provide peace of mind that gas exposure regulations are being met on-farm and to ensure compliance.



Smart Oxygen Meter

The Livetec Smart Oxygen Meter (SOM) is a portable monitoring solution that ensures optimal oxygen concentrations during Controlled Atmosphere Stunning (CAS).

Our SOM allows easy integration with any gassing units including all Livetec manual CGUs and are designed not only to provide peace of mind that animals are being culled humanely in line with European regulations, but also to facilitate improved reporting to demonstrate compliance.



Our high capacity on-farm depopulation solution for improved disease control.

Nitrogen Foam Delivery System

Livetec has developed the Nitrogen Foam System (NFDS) as a patented on-farm method of depopulation for pigs (poultry in testing phase), its flexible design allows for rapid deployment and reduces the need to seal sheds, speeding up the process should you encounter a disease outbreak.

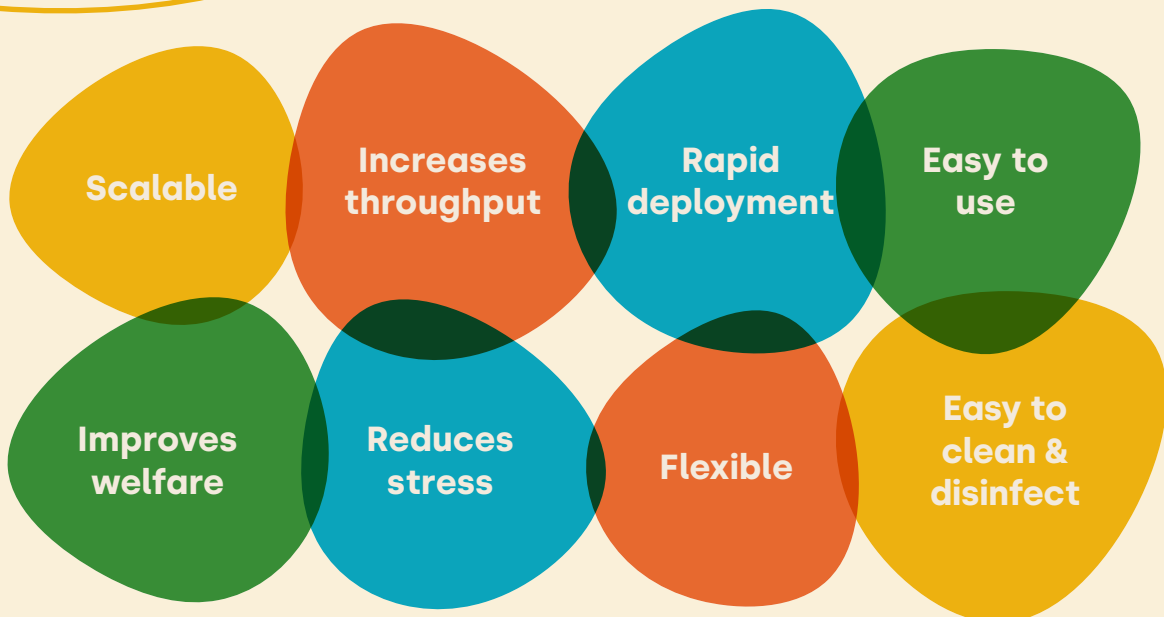
The NFDS requires minimal handling, minimising the distress to your pigs, adhering to the highest standards of animal welfare, whilst simultaneously reducing the stress on handlers.

CO2 Whole-House Gassing

Outbreaks like Highly-Pathogenic Avian Influenza (HPAI) are not only incredibly contagious, they are also highly expensive, and can be damaging to both your reputation and your business.

CO2 Whole-House Gassing (WHG) is the most non-invasive and humane solution for large scale depopulation of poultry, helping to protect your business in the event of a disease outbreak, allowing you to effectively return your operations to normal.

Why use our whole-house solutions?



Research & Development

For more than a decade we have been developing our own technology as well as working with academics, industry and governments worldwide to build evidence that improves humane slaughter methods and welfare standards.

Biosecurity and agricultural management is an ever-evolving science and we believe research and development is key to building the future of livestock protection through biosecurity advancement.

We collaborate with leading academic institutions, animal welfare bodies and governments to provide the evidence base that improves humane slaughter methods, welfare standards and commercial profitability.

Livetec has contributed to a multitude of research projects. We routinely offer our scientific expertise in the areas of engineering and humane depopulation systems for all types of livestock.


Some of the notable organisations that we have most recently partnered with include:





Some of the renowned organisations we work with include:




Livetec's role is of the utmost importance as the British poultry industry continues to work with Government to improve standards and animal welfare whilst reducing the threat of exotic disease incursion. Industry, Government and Livetec all work together to mitigate the risk of disaster and keep the food supply chain going."
 British Poultry Council

Livetec is the leading provider of livestock protection - the go-to partner for all biosecurity issues across the industry.

We provide an extensive range of innovative solutions for our clients:

